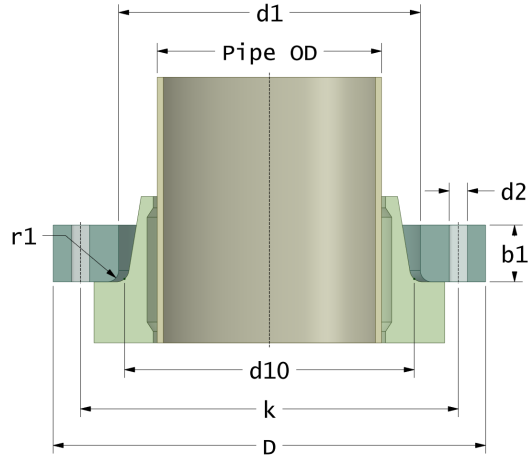
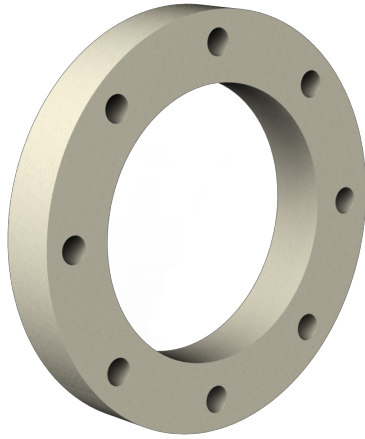


Rotec SMC Backing Ring

Drilling Standard: EN1092 PN16, Pipe Type: GRP



| # | DN (mm) | Pmax (bar) | Pipe OD (mm) | D (mm) | d1 (mm) | d10 (mm) | r1 (mm) | k (mm) | Holes (no.) | d2 (mm) | b1 (mm) | Article Number |
|----|------------|---------------|-----------------|-----------|------------|-------------|------------|-----------|----------------|------------|------------|-------------------|
| 1 | 15 | 16 | 20 | 98 | 34 | 33 | 3 | 65 | 4 | 14 | 15 | BRP-15-34-16/16 |
| 2 | 20 | 16 | 25 | 116 | 40 | 39 | 3 | 75 | 4 | 14 | 15 | BRP-20-40-16/16 |
| 3 | 25 | 16 | 32 | 116 | 51 | 50 | 3 | 85 | 4 | 14 | 15 | BRP-25-51-16/16 |
| 4 | 32 | 16 | 40 | 140 | 51 | 50 | 3 | 100 | 4 | 18 | 16 | BRP-32-51-16/16 |
| 5 | 32 | 16 | 40 | 140 | 55 | 54 | 3 | 100 | 4 | 18 | 16 | BRP-32-55-16/16 |
| 6 | 32 | 16 | 40 | 140 | 59 | 58 | 3 | 100 | 4 | 18 | 16 | BRP-32-59-16/16 |
| 7 | 40 | 16 | 50 | 154 | 62 | 61 | 3 | 110 | 4 | 18 | 18 | BRP-40-62-16/16 |
| 8 | 40 | 16 | 50 | 154 | 69 | 68 | 3 | 110 | 4 | 18 | 18 | BRP-40-69-16/16 |
| 9 | 50 | 16 | 50 | 164 | 62 | 61 | 4 | 125 | 4 | 18 | 18 | BRP-50-62-16/16 |
| 10 | 50 | 16 | 63 | 164 | 73 | 72 | 4 | 125 | 4 | 18 | 18 | BRP-50-73-16/16 |
| 11 | 50 | 16 | 63 | 164 | 83 | 82 | 4 | 125 | 4 | 18 | 18 | BRP-50-83-16/16 |
| 12 | 65 | 16 | 75 | 184 | 96 | 95 | 4 | 145 | 4 | 18 | 20 | BRP-65-96-16/16 |
| 13 | 80 | 16 | 75 | 200 | 97 | 94 | 4 | 160 | 8 | 18 | 28 | BRP-80-97-16/16 |
| 14 | 80 | 10 | 90 | 200 | 112 | 111 | 4 | 160 | 8 | 18 | 23 | BRP-80-112-10/16 |
| 15 | 80 | 16 | 90 | 200 | 112 | 111 | 4 | 160 | 8 | 18 | 28 | BRP-80-112-16/16 |
| 16 | 100 | 10 | 90 | 228 | 112 | 111 | 5 | 180 | 8 | 18 | 25 | BRP-100-112-10/16 |

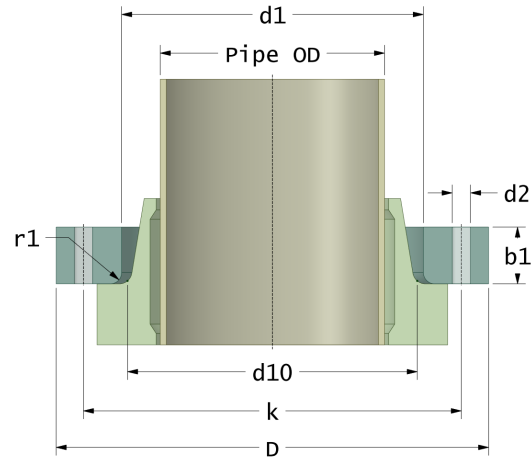
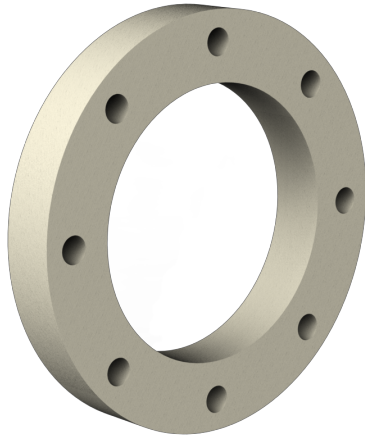
Disclaimer

Whilst every care is taken to ensure that the information on this website is complete and accurate, AdComp Processing Technology Pvt. Ltd. India cannot accept responsibility for any omissions or inaccuracies or for any consequences arising therefrom. By using this website, the user accepts the terms of this disclaimer.

29-11-2024

Rotec SMC Backing Ring

Drilling Standard: EN1092 PN16, Pipe Type: GRP



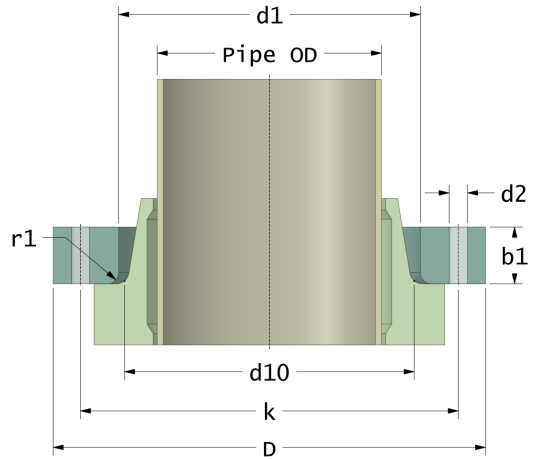
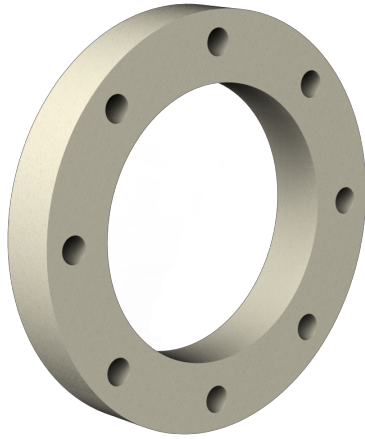
| # | DN (mm) | Pmax (bar) | Pipe OD (mm) | D (mm) | d1 (mm) | d10 (mm) | r1 (mm) | k (mm) | Holes (no.) | d2 (mm) | b1 (mm) | Article Number |
|----|------------|---------------|-----------------|-----------|------------|-------------|------------|-----------|----------------|------------|------------|-------------------|
| 17 | 100 | 16 | 90 | 228 | 112 | 111 | 5 | 180 | 8 | 18 | 30 | BRP-100-112-16/16 |
| 18 | 100 | 10 | 125 | 228 | 134 | 133 | 5 | 180 | 8 | 18 | 25 | BRP-100-134-10/16 |
| 19 | 100 | 16 | 125 | 228 | 134 | 133 | 5 | 180 | 8 | 18 | 30 | BRP-100-134-16/16 |
| 20 | 125 | 10 | 125 | 254 | 134 | 132 | 5 | 210 | 8 | 18 | 28 | BRP-125-134-10/16 |
| 21 | 125 | 16 | 125 | 254 | 134 | 132 | 5 | 210 | 8 | 18 | 34 | BRP-125-134-16/16 |
| 22 | 125 | 10 | 140 | 254 | 161 | 160 | 5 | 210 | 8 | 18 | 28 | BRP-125-161-10/16 |
| 23 | 125 | 16 | 140 | 254 | 161 | 160 | 5 | 210 | 8 | 18 | 34 | BRP-125-161-16/16 |
| 24 | 150 | 10 | 140 | 284 | 167 | 163 | 5 | 240 | 8 | 22 | 34 | BRP-150-167-10/16 |
| 25 | 150 | 16 | 140 | 284 | 167 | 163 | 5 | 240 | 8 | 22 | 40 | BRP-150-167-16/16 |
| 26 | 150 | 10 | 180 | 284 | 185 | 182 | 5 | 240 | 8 | 22 | 34 | BRP-150-185-10/16 |
| 27 | 150 | 16 | 160 | 284 | 189 | 182 | 5 | 240 | 8 | 22 | 40 | BRP-150-189-16/16 |
| 28 | 150 | 16 | 180 | 284 | 185 | 182 | 5 | 240 | 8 | 22 | 40 | BRP-150-185-16/16 |
| 29 | 200 | 6 | 225 | 342 | 238 | 237 | 6 | 295 | 12 | 22 | 35 | BRP-200-238-06/16 |
| 30 | 200 | 10 | 225 | 342 | 238 | 237 | 6 | 295 | 12 | 22 | 41 | BRP-200-238-10/16 |
| 31 | 200 | 16 | 225 | 342 | 238 | 237 | 6 | 295 | 12 | 22 | 48 | BRP-200-238-16/16 |
| 32 | 250 | 6 | 280 | 405 | 294 | 293 | 6 | 355 | 12 | 26 | 35 | BRP-250-294-06/16 |
| 33 | 250 | 10 | 280 | 405 | 294 | 293 | 6 | 355 | 12 | 26 | 42 | BRP-250-294-10/16 |

Disclaimer

Whilst every care is taken to ensure that the information on this website is complete and accurate, AdComp Processing Technology Pvt. Ltd. India cannot accept responsibility for any omissions or inaccuracies or for any consequences arising therefrom. By using this website, the user accepts the terms of this disclaimer.

Rotec SMC Backing Ring

Drilling Standard: EN1092 PN16, Pipe Type: GRP



| # | DN (mm) | Pmax (bar) | Pipe OD (mm) | D (mm) | d1 (mm) | d10 (mm) | r1 (mm) | k (mm) | Holes (no.) | d2 (mm) | b1 (mm) | Article Number |
|----|------------|---------------|-----------------|-----------|------------|-------------|------------|-----------|----------------|------------|------------|-------------------|
| 34 | 300 | 6 | 315 | 458 | 344 | 343 | 6 | 410 | 12 | 26 | 42 | BRP-300-344-06/16 |
| 35 | 300 | 10 | 315 | 458 | 344 | 343 | 6 | 410 | 12 | 26 | 50 | BRP-300-344-10/16 |
| 36 | 300 | 6 | 315 | 458 | 348 | 347 | 6 | 410 | 12 | 26 | 42 | BRP-300-348-06/16 |
| 37 | 300 | 10 | 315 | 458 | 348 | 347 | 6 | 410 | 12 | 26 | 50 | BRP-300-348-10/16 |

Disclaimer

Whilst every care is taken to ensure that the information on this website is complete and accurate, AdComp Processing Technology Pvt. Ltd. India cannot accept responsibility for any omissions or inaccuracies or for any consequences arising therefrom. By using this website, the user accepts the terms of this disclaimer.

29-11-2024